

Ni Chlorinator

THE EASIEST WAY TO ENSURE HEALTHY AND SAFE SWIMMING WATER FOR YOUR FAMILY ALL YEAR ROUND

There have been many ways and methods produced and promoted to sanitize your pool water but few are as effective, safe and reliable as a salt or mineral chlorinator. For your pool to be safe to swim in, algae and bacteria needs to be eliminated. The chlorinator cell instantly kills algae and bacteria as the pool water passes through the cell but in addition, it creates a residual sanitiser level which stays in the pool water, killing contaminants as they enter the water in any part of the pool.

Swimming in the ocean is invigorating and refreshing, so no wonder salt chlorinators have become the standard for swimming pool sanitising. Manual dosing of chlorine or other chemicals can be haphazard and unreliable, and other types of sanitisers kill bacteria as the water passes through them but do not leave a residual in the water so that the whole body of water is always healthy and safe.

WHY CHOOSE INSNRG'S Ni CHLORINATOR?

FLEXIBLE AND ADAPTABLE

By dissolving salt, or minerals such as magnesium or potassium in your pool water at roughly the concentration of the salt in your eyes, Insnrg's Ni Chlorinator produces sufficient sanitiser to keep the largest residential pools clean, healthy and safe. The Ni chlorinator works in conjunction with a wide range of salt and mineral levels to produce the right level of sanitiser for your pool.

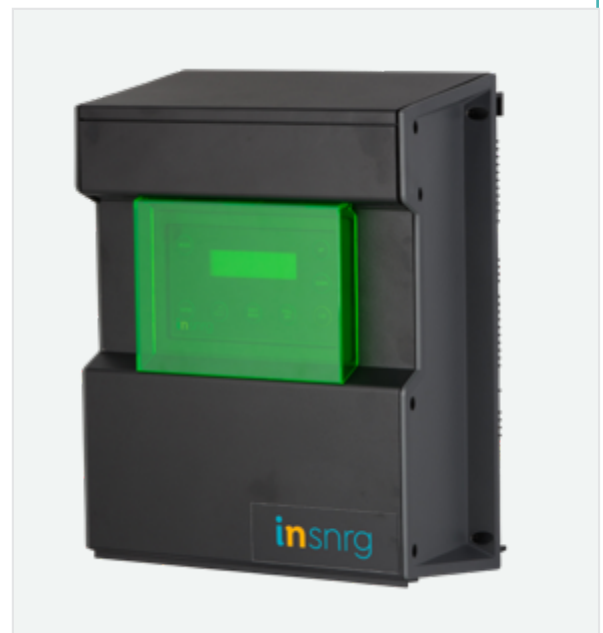
The inbuilt time clock combined with the output control allows you to set the operating hours and power of the cell to suit your pool size and the environmental conditions. Use the Ni Controller to set your pump operating hours, with up to 4 x timer periods for each day.

DURABLE AND RELIABLE

Insnrg uses high quality components throughout and the Ni chlorinator has been designed and manufactured to withstand the harshest of outdoor conditions that pool equipment endure. The controller housing is sealed to prevent insect ingress

DURABLE HOUSING DESIGN

Fully sealed unit ideal for outdoor installations to keep out insects and other pests



and built with a large heat sink to reduce the temperature of electronic components.

Covered by an industry leading warranty, you can rest assured that your pool will be ready to swim in when you are.

MORE FEATURES & BENEFITS

LOW MAINTENANCE

The Ni chlorinator has an intelligent variable reverse polarity algorithm that ensures debris and calcium that adhere to the inside of the cell are cleaned, almost eliminating the manual cleaning process and ensuring long life.

UNIQUE CELL DESIGN

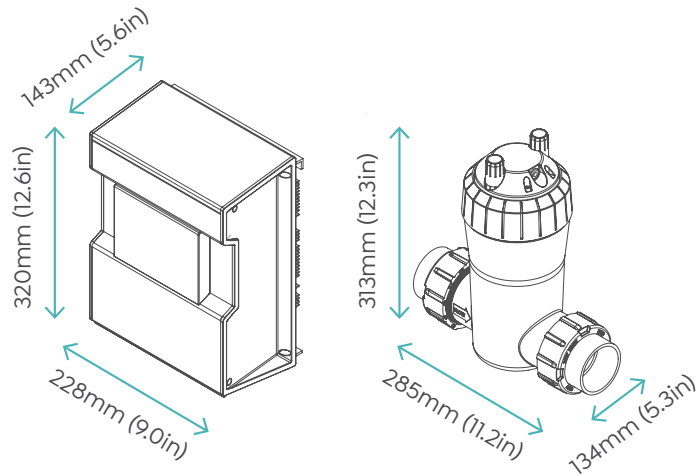
A unique cell tilt sensor ensures correct installation and enhances the safety of your pool. In addition, the cell is designed for a large range of flow rates which is especially desirable with today's modern variable speed pool pumps. The ability to process both low and high water flow rates ensures the water covers all critical cell components improving efficiency and the life of your chlorinator.

INTEGRATION WITH INSNRG'S Qi VARIABLE SPEED PUMP

The easy to use in built timer enables different time periods and pump speeds when integrated with Insnrg's Qi Variable speed pump. This allows flexible choice of high flow circulation to reach all areas of your pool and then minimize your operating costs by reducing the pump speed for the rest of the day.

REMOTE CONTROL AT YOUR FINGER TIPS

Combine with Insnrg's inTouch pool automation app so that you can monitor, change outputs and timer periods from your smart phone or tablet.



DIMENSIONS & SPECS

MODEL	Ni 25		Ni 40	
OUTPUT (g/hr)	25		40	
RECOMMENDED MAXIMUM POOL VOLUME				
	Litres	Gallon	Litres	Gallon
TROPICAL (Ave 20°C/68°F)	50,000	13,200 Gal	80,000	21,100
TEMPERATE (Ave 15°C/60°F)	95,500	25,100 Gal	152,000	40,200
LOW SALT (Between 2-3,000ppm)	50,000	13,200 Gal	80,000	21,100

*Based on 8 hours per day pump operation, correct water balance

RELAX, YOU'RE COVERED (WARRANTY & DEALER SUPPORT)

Your Ni Chlorinator comes complete with a **3 year warranty** on the powerpack and **5 year warranty** on the cell. Refer to Installation and Operating Manual or go to www.Insnrg.com for full warranty details.

WANT MORE TECHNICAL DETAILS?

For the technically minded, go to www.insnrg.com/products

CONTACT YOUR LOCAL POOL PROFESSIONAL

