

# Hi Heat Pump

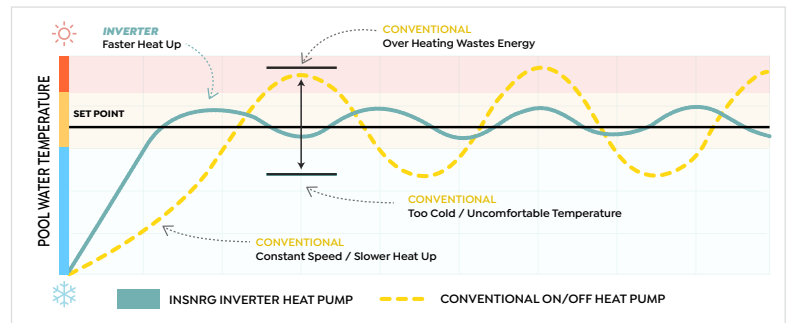
## FULL-INVERTER® TECHNOLOGY

The only Heat Pump available with Full-Inverter® Technology to maximise your energy efficiency and minimise your heating costs. Other heat pumps use simple on/off technology and some limited step inverter technology. Only the Hi Heat pump is able to infinitely change the speed of the fan and compressor between minimum and maximum outputs. Insnrg's heat pump will operate at maximum output when the water is cold but, as the swimming temperature is approached, Full-Inverter® Technology slows the compressor and fan down to maximise efficiency. In fact, when operating at 50% the Hi Heat Pump achieves an average COP of 11, which halves the operating cost of a conventional heat pump.

## WHY CHOOSE AN INSNRG HEAT PUMP?

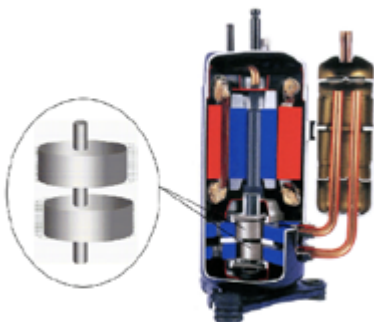
### INVERTER TECHNOLOGY

All Insnrg Hi Heat Pumps incorporate the latest Inverter Technology to maximise energy efficiency and minimise heating costs. Inverter technology operates similar to climate control on your home or vehicle air-conditioning units. Insnrg's heat pump will operate at maximum output when the water is cold but, as swimming temperature is approached, Inverter Technology slows the compressor and fan down to increase efficiency and reduce heating costs. The sophisticated electronic controller matches the heating capacity with the heat loss from your pool, eliminating overshooting/undershooting of the pool temperature experienced by conventional heat pumps.



### TWIN-ROTARY DC INVERTER COMPRESSOR

Based on "Twin mechanism" innovative solution, two rotors operate together to balance the torque for anti-shaking. It leads to highest efficiency, extremely low vibration & quiet operation.



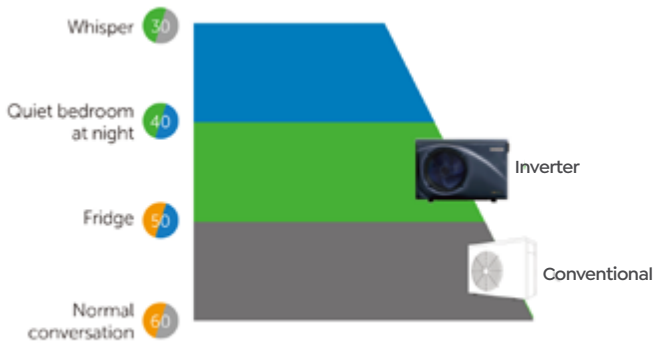
### HIGH EFFICIENCY (AVERAGE COP UP TO 11+)

Heat Pumps are one of the most efficient ways to heat your swimming water. In fact, the only energy heat pumps use is to collect heat from the air, even when the air temperature is as low as 3 degrees. The large evaporator coils in the heat pump absorb any temperature or humidity from the outside air, and then transfer this heat through a titanium heat exchanger into your pool water. Heat Pump efficiency is known as Co-efficient of Performance (COP). In optimum conditions your Insnrg heat pump operates at a COP of 11, which means it transfers 11 times the energy that it uses into your pool water.

## MORE FEATURE & BENEFITS

### WHISPER QUIET

Thanks to the advances provided by Inverter Technology, the Hi Heat Pump is whisper quiet, allowing you to heat for extended hours without intruding on your neighbours or sensitive rooms in your own home.



### COOLING AS WELL AS HEATING?

The Hi Heat Pump can also cool your pool water. Ideal for ice baths or pools located in tropical regions, your pool water can be cooled to the ideal refreshing temperature as well.

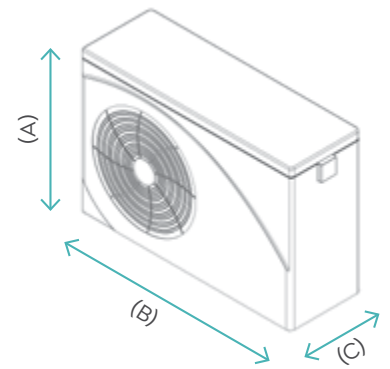
### RELAX, YOU'RE COVERED (WARRANTY & DEALER SUPPORT)

Your Hi Heat Pump comes complete and comprehensive warranty includes **10 years on titanium heat exchanger**, **5 years on evaporator and cabinet** and **1 year on controls**. For full warranty details refer to the Installation and Operating Manual or go to [www.insnrg.com](http://www.insnrg.com).

### WANT MORE TECHNICAL DETAILS?

For the technically minded, go to [www.insnrg.com/products](http://www.insnrg.com/products)

## DIMENSIONS



MODEL	Hi 27	Hi 40	Hi 72	Hi 120T
"A" (mm/in)	658/26	658/26	758/30	958/38
"B" (mm/in)	961/38	961/38	961/38	1161/46
"C" (mm/in)	340/14	340/14	420/17	530/21

## SPECIFICATIONS

MODEL	Hi 27	Hi 40	Hi 72	Hi 120T
Working Air Temp (°C/°F)	-7 to 43 / 20 to 110			
<b>Performance Condition: Air 26°C / 79°F, Water 26°C / 79°F, Humidity 80%</b>				
Heating capacity (kW)	8.0	12.0	21.0	35.2
COP	14.7-7.0	14.8-5.7	15.2-5.7	15.5-5.5
<b>Performance Condition: Air 15°C / 59°F, Water 26°C / 79°F, Humidity 70%</b>				
Heating capacity (kW)	5.8	8.0	14.3	24.0
COP	7.3-4.8	7.4-4.3	7.7-4.2	8.0-4.5
<b>Performance Condition: Air 35°C / 95°F, Water 28°C / 83°F, Humidity 80%</b>				
Cooling capacity (kW)	4.0	5.5	10.0	16.4
Rated input power (kW) (at Air 15°C / 59°F)	0.2 - 1.2	0.3 - 1.8	0.4 - 3.3	0.7 - 5.2
Max input current (A)	8.0	10.0	17.5	9.5
Power Supply	230V/1 Ph/50Hz			400V/3 Ph/50Hz
Min Water Flow (lpm/gpm)	67/18	100/27	167/45	300/80
Sound pressure 1m dB(A)	38.8-48.2	42.1-50.7	40.9-54.2	42.6-54.7
Net Weight (kg/lb)	45/100	50/111	68/150	117/258

## CONTACT YOUR LOCAL POOL PROFESSIONAL

