

# Qi Variable Speed Pump

## THE IMPORTANCE OF VARIABLE SPEED PUMPS

The swimming pool pump is the heart of the pool and is required to ensure good water circulation through the filter and chlorinator to provide superior water quality. The pool pump is one of the hardest working products in your home, and deserves careful consideration before you purchase. Insnrg variable speed pumps have been carefully designed to minimize your operating costs, extend the life of the pump and other pool equipment all with low noise levels.

Variable Speed Pumps have become the standard for swimming pool filtration systems. The challenge for pool pumps is to provide the ideal flow during filtration, a higher flow rate for backwashing the filter and a different flow rate again for specialized components such as heating and water features. A fully variable speed pump can adapt easily to provide the perfect flow rate while reducing energy costs by over 80%. Your pool professional will ensure your new pump is installed and set up perfectly to match your pool size, plumbing and pool appliances while achieving the highest possible energy savings. What a great investment!

## WHY CHOOSE AN INSNRG Qi VARIABLE SPEED PUMP?

### FULLY VARIABLE SPEED

The Qi range of pumps have four speed settings that are all fully adjustable, meaning you can set-up the pump to exactly the flow it needs for all your different applications. If you have a suction cleaner, program the speed so it operates perfectly, a sand filter will require a lower speed for normal filtration and a higher speed for backwashing.

### WHISPER QUIET

Operating the Qi pump at the lower speeds not only saves you significant energy and reduces your electricity bills, the slower the pump, the quieter the motor noise. Now you can install your Qi pump and eliminate noise intrusion for your family and neighbours.

### DURABLE

Most pool equipment is installed outdoors without any protection from the weather. Insnrg insist on using the highest quality components and have designed and built the Qi range to withstand the harshest environmental conditions. Stainless Steel hardware, UV resistant components and precision engineering all help to extend the life and improve the durability of your Qi pump.

### VARIABLE SPEED CONTROLLER

Easy to operate controller to optimise your water flow & maximise your energy savings



### ENERGY SAVING

The Qi Variable Speed Pump is possibly one of the few appliances that pays for itself. With energy savings of over 80%, your power costs are cut by between \$750 and \$1000 a year (over a single speed pump) which means your new pump can pay for itself in less than 2 years. Just keep accumulating the savings over the life of your new Qi Pump!

# MORE FEATURES & BENEFITS

## FAST PRIME

A swimming pool and spa pump rotates at high speed which can create high temperature and wear to critical components. Insnrg designers have created a unique internal weir which assists priming and helps eliminate heat adding to the durability of the pump. The unique weir specifically assists priming when your pump is operating at low speed.

## BEST SIZE FOR YOUR POOL

The Qi pump is available in two models that enables you to choose the right size for your pool for the best performance.

## CONNECTED

Your Qi pump is simply connected to Insnrg's inTouch automation system allowing control at your fingertips on any smart device. Add the inTouch Portal to your system and you will be able to connect anywhere in the world using your home network. Imagine the peace of mind when able to adjust your pump and monitor its operation from wherever you are.



\*requires free inTouch app. IOS & Android compatible and Insnrg Internet Portal.

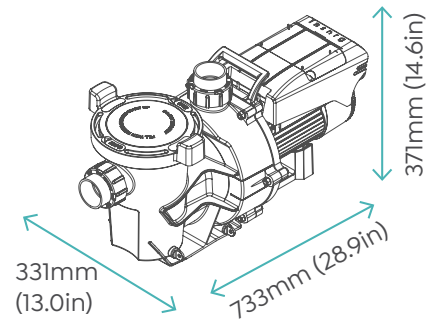
## RELAX, YOU'RE COVERED (WARRANTY & DEALER SUPPORT)

Your Qi Pump comes complete with a **3 year limited warranty**. Refer to owners manual for full warranty details or go to [www.insnrg.com](http://www.insnrg.com).

## WANT MORE TECHNICAL DETAILS?

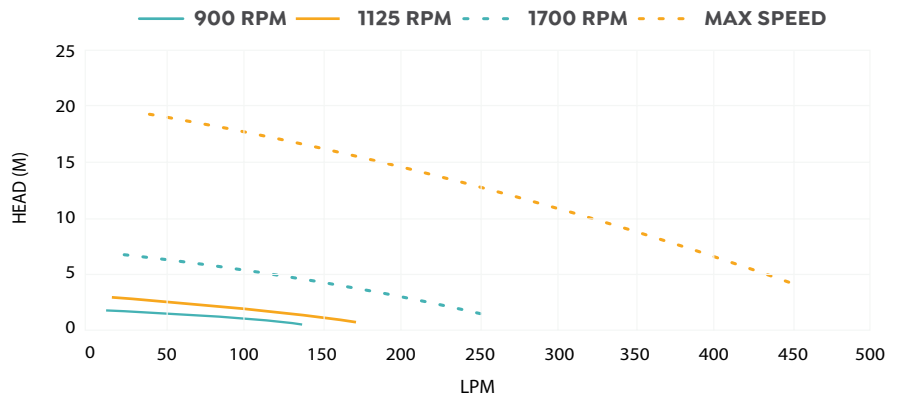
For the technically minded, go to [www.insnrg.com/products](http://www.insnrg.com/products)

## DIMENSIONS & SPECS

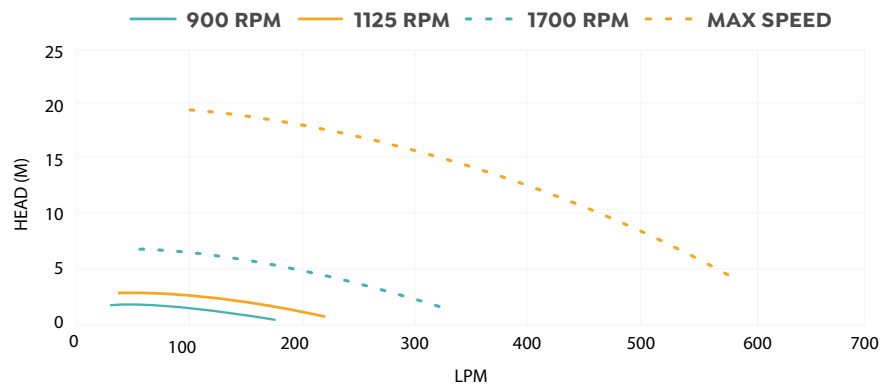


MODEL	Qi 1100				Qi 1800			
SPEED	i	ii	iii	iv	i	ii	iii	iv
VOLTS	230	230	230	230	230	230	230	230
RPM	2850	2300	1700	1150	2850	1700	1125	900
INPUT WATTS (W)	1050	538	227	140	1870	800	350	137
FLOW RATE (lpm)	300	240	180	120	602	360	240	120
FLOW RATE (gpm)	80	64	48	32	160	96	64	32
HEAD (m)	8.0	5.1	2.9	1.3	8.0	5.0	2.7	1.2
CURRENT (Amps)	7.5	3.8	1.6	1.0	8.5	4.0	2.0	0.9

### Qi 1100 PUMP - FLOW CHART



### Qi 1800 PUMP - FLOW CHART



## CONTACT YOUR LOCAL POOL PROFESSIONAL

